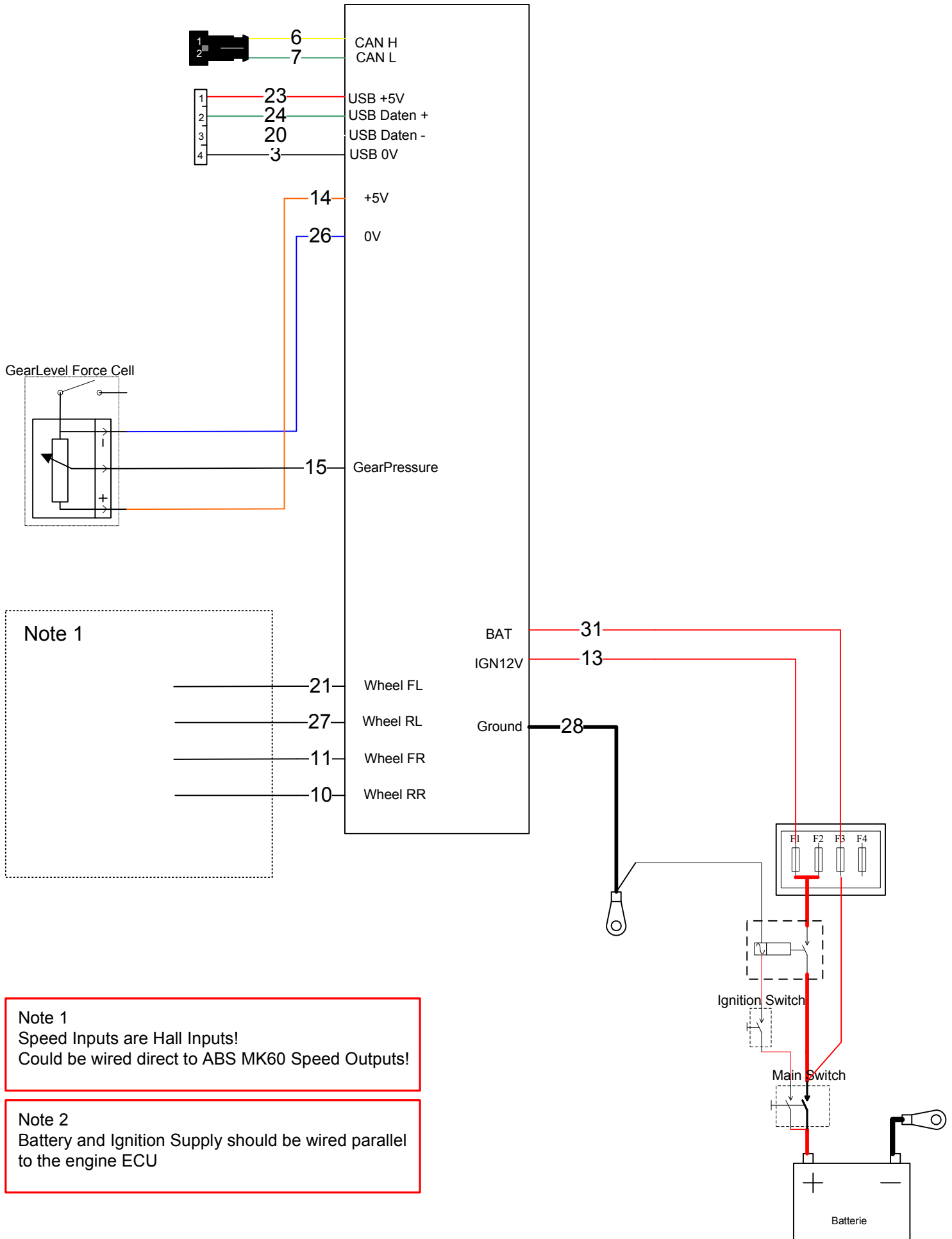


# MBE 998 Traction Control



**Note 1**

\_\_\_\_\_ 21 Wheel FL  
 \_\_\_\_\_ 27 Wheel RL  
 \_\_\_\_\_ 11 Wheel FR  
 \_\_\_\_\_ 10 Wheel RR

**Note 1**  
 Speed Inputs are Hall Inputs!  
 Could be wired direct to ABS MK60 Speed Outputs!

**Note 2**  
 Battery and Ignition Supply should be wired parallel  
 to the engine ECU