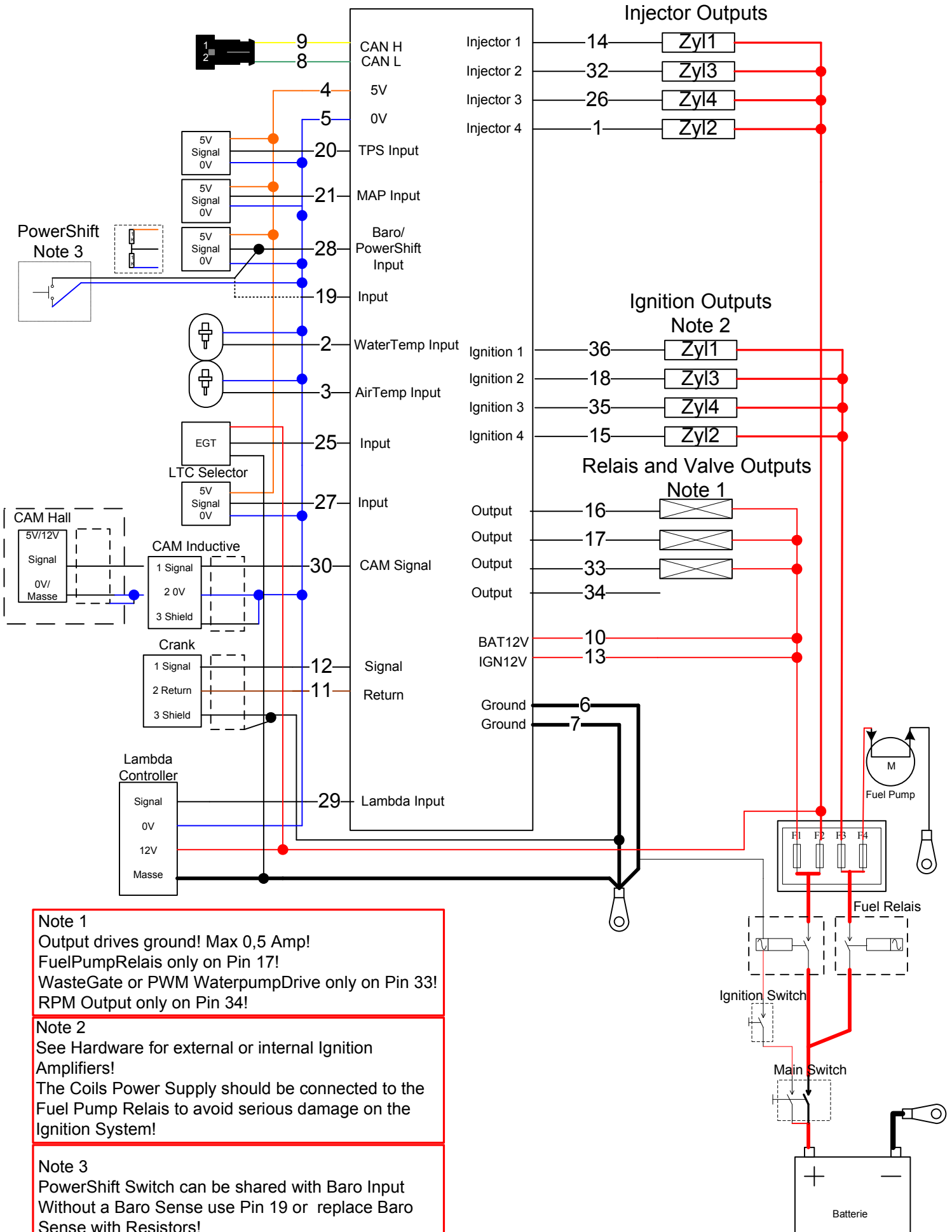


MBE 9A8  
4 Zylinder COP 1-3-4-2  
Turbo



**Note 1**  
Output drives ground! Max 0,5 Amp!  
FuelPumpRelais only on Pin 17!  
WasteGate or PWM WaterpumpDrive only on Pin 33!  
RPM Output only on Pin 34!

**Note 2**  
See Hardware for external or internal Ignition Amplifiers!  
The Coils Power Supply should be connected to the Fuel Pump Relais to avoid serious damage on the Ignition System!

**Note 3**  
PowerShift Switch can be shared with Baro Input  
Without a Baro Sense use Pin 19 or replace Baro Sense with Resistors!